

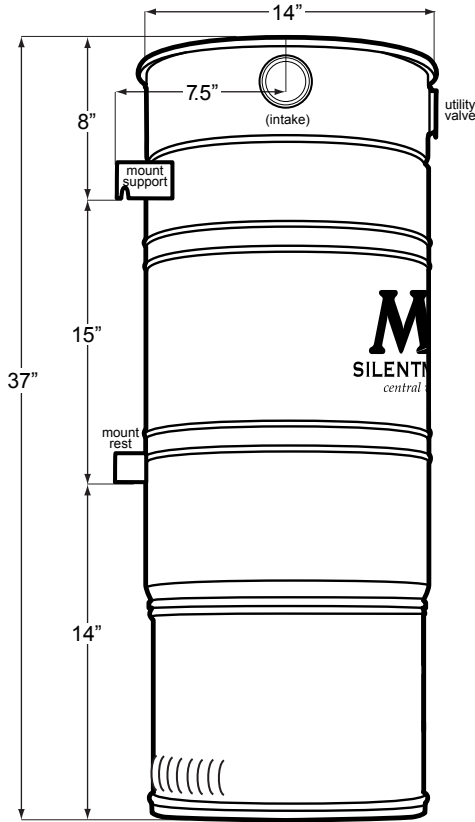
SILENTMASTER®

MANUFACTURED BY
MD
CENTRAL VACUUMS

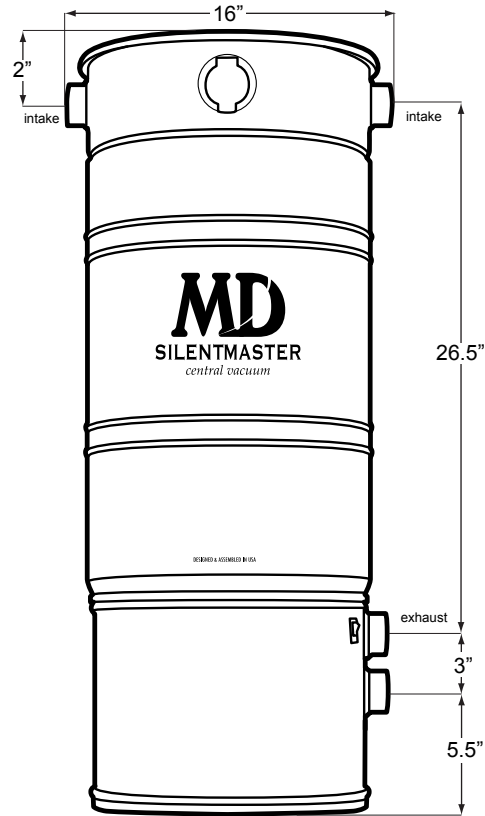
SPECIFICATIONS FOR MODEL

S560r2

#S2154AD 240 VOLT



SIDE VIEW



FRONT VIEW

PERFORMANCE

Sealed Vacuum 134.6
CFM 127.2
Air Watts 566
Volts 240
Amperage 7.9
Quietness 62dBa
Coverage 8,000 ft²

*Recommended home size can be higher or lower when considering these factors: altitude, hours of use, complexity of pipe installation, distance of furthest inlet, noise level, type and size of filtration, and budget.

FEATURES

Motor: Single 2-stage radial bypass motor producing high CFM and waterlift.
Filtration: HyperFlow™ disposable 12-gallon bag. Closed microfilter bag available.
Intakes: Right & left intakes. Utility valve.
Construction: Durable powder-coated all steel body.
Overload: Heat protection resettable minibreaker.
Warranty: 12 Years Transferable + Lifetime.
Dims/Weight: 14" Diameter, 37" Tall, 42 lbs.
Accessories: All MD accessories and kits are compatible and are sold separately.
Optional: Air Relief Valve, Mufflers. Closed bag filtration.

INSTALLATION

Electrical:
240V - 50/60HZ, 15 amp circuit. Separate circuit recommended. 6' Cord with typical 240v plug. Fits NEMA 6-20R receptacle.
Mounting:
Two-stud 17" wide bracket. Easy to hang and remove. Left/right variable positioning. Mount 6" off ground. Leave 24" above unit.
Venting:
Exterior venting not necessary. 30ft maximum dual line if venting.

PROJECT		LOCATION	
DEALER		DATE / PRICE	



Designed & Assembled in USA

WWW.BUILTINVACUUM.COM/SILENT-MASTER

M.D. Manufacturing, Inc. 800.525.2055
34970 McMurtrey Ave. 661.283.7550
Bakersfield, CA 93308 FAX 661.283.7554